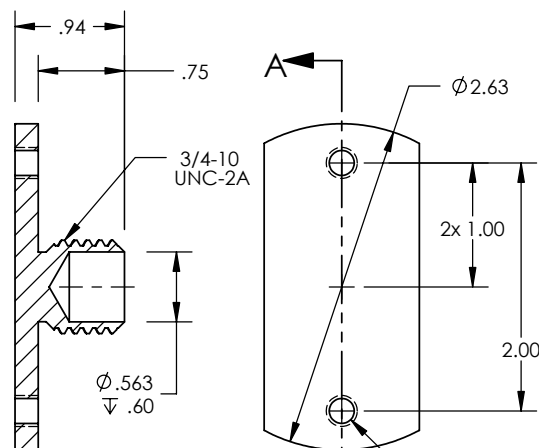


THE INFORMATION CONTAINED IN THIS DRAWING IS THE SOLE PROPERTY OF VISTEK, INC. ANY REPRODUCTION IN PART OR WHOLE WITHOUT THE WRITTEN PERMISSION OF VISTEK, INC. IS PROHIBITED. THE ASSEMBLY / PART(S) ILLUSTRATED IN THIS DRAWING IS AN INVENTION OR PART OF AN INVENTION THAT IS PROTECTED BY U. S. PATENTS AND FOREIGN PATENTS PENDING AND/OR APPLIED FOR, AND APPLICABLE TRADE SECRETS LAW.

# VIB320 LEVELER BAR ATTACHMENT

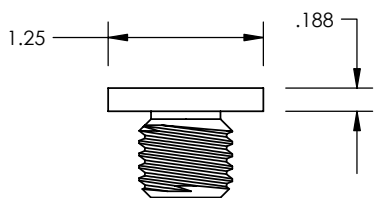
## NOTES UNLESS OTHERWISE SPECIFIED:

1. MATERIAL: ALUMINUM ROD, GRADE 6061-T6
2. FINISH: ANODIZE BLACK, HARD

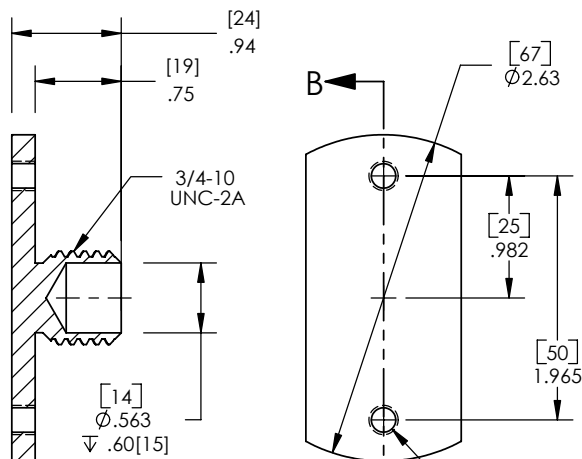


SECTION A-A

2X  $\phi$  .201 THRU ALL  
1/4-20 UNC - 2B THRU ALL

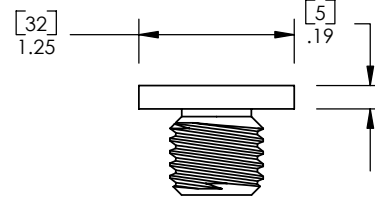


- WHEN PART OF VIB320 PART NO. CALLOUT, SUFFIX DESIGNATION = - 023
- PART NO. WHEN ORDERED SEPARATELY = B320-ACC-023

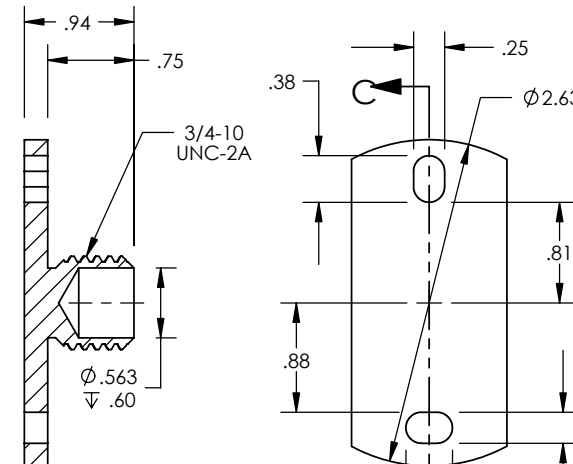


SECTION B-B

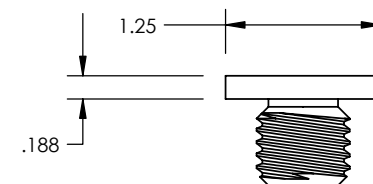
2X  $\phi$  .197[5] THRU ALL  
M6x1.0 - 6H THRU ALL



- WHEN PART OF VIB320 PART NO. CALLOUT, SUFFIX DESIGNATION = - 024
- PART NO. WHEN ORDERED SEPARATELY = B320-ACC-024



SECTION C-C



- WHEN PART OF VIB320 PART NO. CALLOUT, SUFFIX DESIGNATION = - 025
- PART NO. WHEN ORDERED SEPARATELY = B320-ACC-025

UNLESS OTHERWISE SPECIFIED DIMENSIONS ARE IN INCHES TOLERANCES ARE:

FRACTIONS DECIMALS ANGLES  
 $\pm 1/32$  .XX  $\pm .016$   $\pm 1/2^\circ$   
 XXX  $\pm .003$  125

MATERIAL SEE NOTES

FINISH SEE NOTES

DO NOT SCALE DRAWING

CAD GENERATED DRAWING. DO NOT MANUALLY UPDATE

APPROVALS DATE

DRAWN R. HAM 5/7/2008

CHECKED

RESP ENG

MFG ENG

QUAL ENG

**VISTEK Inc.**

VIBRATION & MOTION CONTROL  
 PHOENIX, ARIZONA  
 Phone (602) 426-1211 / Fax (602) 426-1611

VIB320 LEVELER BAR ATTACHMENTS

SIZE DWG. NO. 1022-095

SCALE 1:1 MASS SHEET 1 OF 1

CUSTOMER APPROVAL \_\_\_\_\_

DATE \_\_\_\_\_

CATALOG NO. \_\_\_\_\_

P/N: 100500

NEXT ASSY USED ON

APPLICATION