

THE INFORMATION CONTAINED IN THIS DRAWING IS THE SOLE PROPERTY OF VISTEK, INC. ANY REPRODUCTION IN PART OR WHOLE WITHOUT THE WRITTEN PERMISSION OF VISTEK, INC. IS PROHIBITED. THE ASSEMBLY / PART(S) ILLUSTRATED IN THIS DRAWING IS AN INVENTION OR PART OF AN INVENTION THAT IS PROTECTED BY U. S. PATENTS AND FOREIGN PATENTS PENDING AND/OR APPLIED FOR, AND APPLICABLE TRADE SECRETS LAW.

REVISIONS			
REV.	DESCRIPTION	DATE	APPROVED

VIT2500 HANDLING & UNCRATING INSTRUCTIONS

1. REMOVE ALL SCREWS FROM TOP OF THE CRATE AND REMOVE TOP
2. REMOVE SCREWS FROM FRONT OF THE CRATE AND REMOVE FRONT PANEL
3. CUT BANDS HOLDING TABLE TO FLOOR OF CRATE, AND REMOVE TABLE
4. ISOLATION PLATFORM ASSEMBLY IS BOXED SEPARATELY. IT IS LOCATED INSIDE THE CRATE, UNDER THE TABLE, & HELD IN PLACE WITH METAL BANDS
5. PLACE THE TABLE IN THE DESIRED LOCATION
6. DO NOT PLACE THE ISOLATION PLATE ONTO THE TABLE UNTIL DIRECTED TO IN SEPERATE VIT2500 SET UP INSTALLATION INSTRUCTIONS

TOOLS AND REQUIRED MATERIALS:

1. #2 PHILLIPS SCREWDRIVER (POWER RECOMMENDED)
2. TIN SNIPS
3. WORK GLOVES
4. SAFETY GLASSES

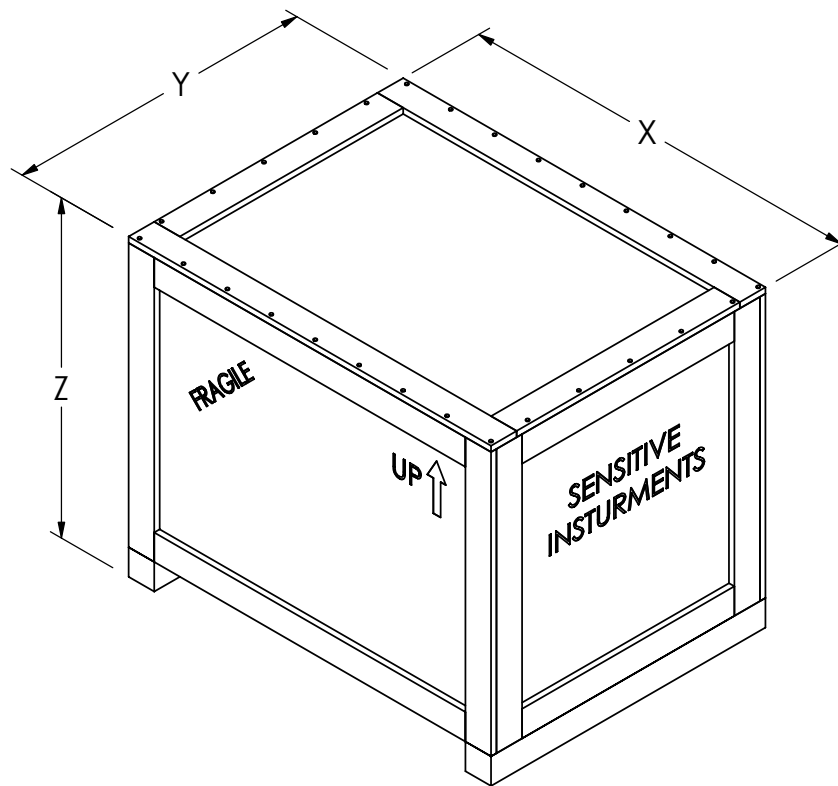


Table PN	Weight (Lbs(Kg))			Crate Dimensions (in(cm))			
	Table w/o Isolation Platform	Isolation Platform	Crate (empty)	Total Shipping Wt	X	Y	Z
VIT2500-363030	93 (42)	49 (22)	115 (52)	257 (117)	38.25 (97)	32.25 (82)	36.75 (93)
VIT2500-363036	100 (45)	49 (22)	123 (56)	272 (123)	38.25 (97)	32.25 (82)	42.75 (109)
VIT2500-423030	103 (47)	49 (22)	125 (57)	277 (126)	44.25 (112)	32.25 (82)	36.75 (93)
VIT2500-423036	108 (49)	49 (22)	134 (61)	291 (132)	44.25 (112)	32.25 (82)	42.75 (109)
VIT2500-423630	116 (53)	49 (22)	138 (63)	303 (137)	44.25 (112)	38.25 (97)	36.75 (93)
VIT2500-423636	121 (55)	49 (22)	148 (67)	318 (144)	44.25 (112)	38.25 (97)	42.75 (109)
VIT2500-483030	110 (50)	49 (22)	135 (61)	294 (133)	50.25 (128)	32.25 (82)	36.75 (93)
VIT2500-483036	115 (52)	49 (22)	145 (66)	309 (140)	50.25 (128)	32.25 (82)	42.75 (109)
VIT2500-483630	123 (56)	49 (22)	149 (68)	321 (146)	50.25 (128)	38.25 (97)	36.75 (93)
VIT2500-483636	128 (58)	49 (22)	160 (73)	337 (153)	50.25 (128)	38.25 (97)	42.75 (109)
VIT2500-603030	125 (57)	49 (22)	155 (70)	329 (149)	62.25 (158)	32.25 (82)	36.75 (93)
VIT2500-603036	130 (59)	49 (22)	166 (75)	345 (156)	62.25 (158)	32.25 (82)	42.75 (109)
VIT2500-603630	141 (64)	49 (22)	171 (78)	361 (164)	62.25 (158)	38.25 (97)	36.75 (93)
VIT2500-603636	145 (66)	49 (22)	183 (83)	377 (171)	62.25 (158)	38.25 (97)	42.75 (109)
VIT2500-723030	141 (64)	49 (22)	176 (80)	366 (166)	74.25 (189)	32.25 (82)	36.75 (93)
VIT2500-723036	145 (66)	49 (22)	188 (85)	382 (173)	74.25 (189)	32.25 (82)	42.75 (109)
VIT2500-723630	158 (72)	49 (22)	193 (88)	400 (181)	74.25 (189)	38.25 (97)	36.75 (93)
VIT2500-723636	163 (74)	49 (22)	206 (93)	418 (190)	74.25 (189)	38.25 (97)	42.75 (109)

ITEM NO.	PART OR IDENTIFYING NO.	NOMENCLATURE OR DESCRIPTION	MATERIAL SPECIFICATION	QTY REQD.
PARTS LIST				
UNLESS OTHERWISE SPECIFIED, DIMENSIONS ARE IN INCHES. TOLERANCES ARE:		CAD GENERATED DRAWING. DO NOT MANUALLY UPDATE.		
FRACTIONS	DECIMALS	ANGLES	APPROVALS DATE	
± 1/32	.XX ± .016 ± 1/2"	XXX ± .003 125/	DRAWN R. HAM	10/17/05
MATERIAL	CHECKED	VISTEK Inc. VIBRATION & MOTION CONTROL PHOENIX, ARIZONA Phone (602) 426-1211 / Fax (602) 426-1611		
FINISH	RESP ENG	VIT2500 ISOLATION TABLE UNCRATING INSTRUCTIONS		
NEXT ASSY	USED ON	SCALE 1:1 MASS		
APPLICATION		SHEET 1 OF 1		

CUSTOMER APPROVAL _____ DATE _____ CATALOG NO. _____ P/N: _____