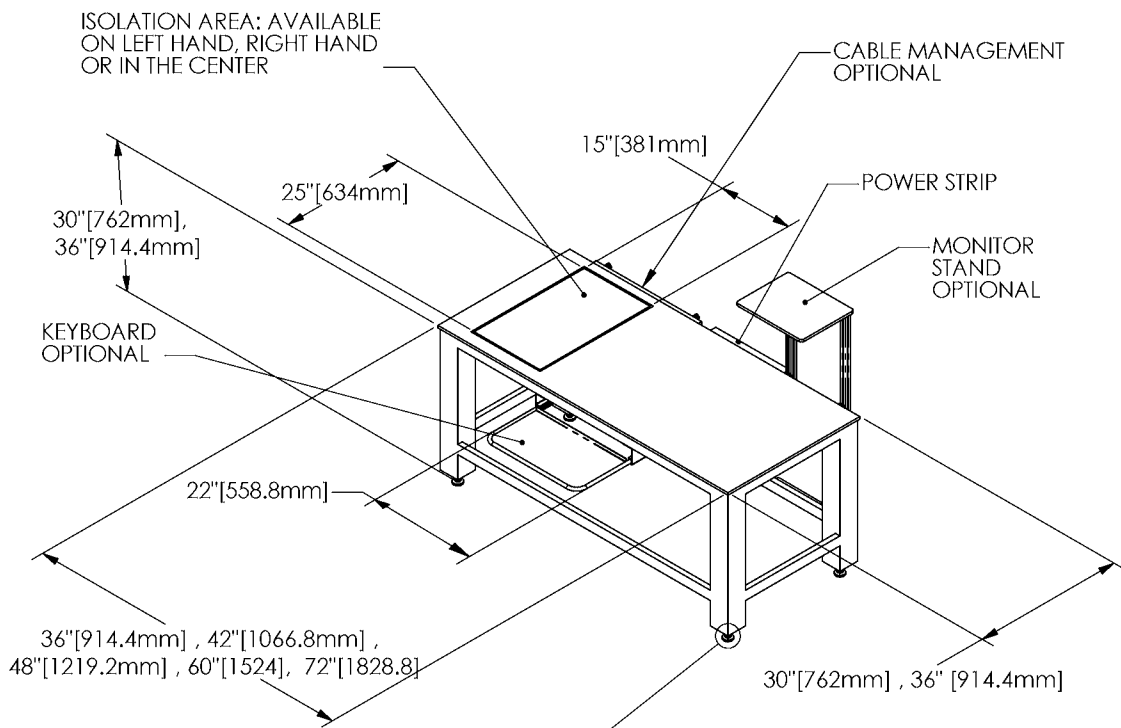


THE INFORMATION CONTAINED IN THIS DRAWING IS THE SOLE PROPERTY OF VISTEK, INC. ANY REPRODUCTION IN PART OR WHOLE WITHOUT THE WRITTEN PERMISSION OF VISTEK, INC. IS PROHIBITED. THE ASSEMBLY / PARTS ILLUSTRATED IN THIS DRAWING IS AN INVENTION OR PART OF AN INVENTION THAT IS PROTECTED BY U.S. PATENTS, AND FOREIGN PATENTS PENDING AND/OR APPLIED FOR, AND APPLICABLE TRADE SECRETS LAW.

REVISIONS			
REV.	DESCRIPTION	DATE	APPROVED

NOTES: UNLESS OTHERWISE SPECIFIED



OPTIONS AVAILABLE ON THE SERIES 2500 VIBRATION ISOLATION TABLE

CABLE MANAGEMENT CLAMPING BAR: AVAILABLE ON ALL SIZE TABLES

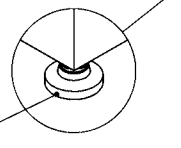
MONITOR STAND: AVAILABLE ON ALL SIZE TABLES

PULLOUT KEYBOARD TRAY: AVAILABLE ON TABLES 48" AND WIDER WHEN ISOLATION PLATE IS LOCATED ON THE LEFT HAND OR RIGHT HAND SIDE. IF ISOLATION PLATE IS LOCATED IN THE CENTER, THEN ONLY AVAILABLE ON THE 72" WIDE TABLE.

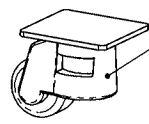
POWER STRIP: AVAILABLE ON ALL SIZE TABLES

CASTERS: AVAILABLE ON ALL SIZES

SHELVES: AVAILABLE ON ALL SIZE TABLES. SEE SEPARATE DRAWING FOR INFORMATION ON SHELVES.



STANDARD FOOT



OPTIONAL CASTER: WHEN SELECTED TABLE HEIGHT IS CALCULATED WHEN CASTER IS IN LOCKED POSITION AND NOT ROLLERS

ITEM NO.	PART OR IDENTIFYING NO.	NOMENCLATURE OR DESCRIPTION	MATERIAL SPECIFICATION	QTY REQD.
PARTS LIST				
UNLESS OTHERWISE SPECIFIED DIMENSIONS ARE IN INCHES TOLERANCES ARE:		CAD GENERATED DRAWING, DO NOT MANUALLY UPDATE		
FRACTIONS ± 1/32	DECIMALS .016 ± 1/2"	APPROVALS	DATE	VISTEK Inc. VIBRATION & MOTION CONTROL PHOENIX, ARIZONA Phone (602) 426-1211 / Fax (602) 426-1611
ANGLES XXX ± .003 125	✓	DRAWN S. OCHENREDEER	5-14-05	
MATERIAL		CHECKED		
FINISH		RESP ENG P.A.	5-14-05	
NEXT ASSY		USED ON	OPTION-FULL, VIT2500 SITE DWG. NO. B 1047-063 SCALE 1:20 SHEET 1 OF 1	
APPLICATION		DO NOT SCALE DRAWING		

CUSTOMER APPROVAL _____ DATE _____ CATALOG NO. _____ PN: _____