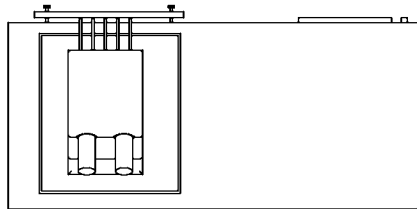


THE INFORMATION CONTAINED IN THIS DRAWING IS THE SOLE PROPERTY OF VISTEK, INC. ANY REPRODUCTION IN PART OR WHOLE WITHOUT THE WRITTEN PERMISSION OF VISTEK, INC. IS PROHIBITED. THE ASSEMBLY PART(S) ILLUSTRATED IN THIS DRAWING IS AN INVENTION OR PART OF AN INVENTION THAT IS PROTECTED BY U.S. PATENTS, AND FOREIGN PATENTS PENDING AND/OR APPLIED FOR, AND APPLICABLE TRADE SECRETS LAW.

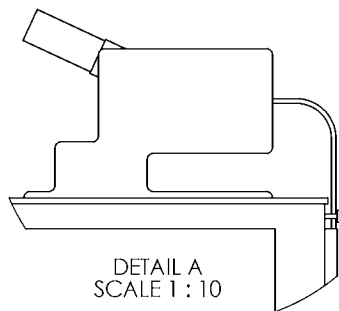
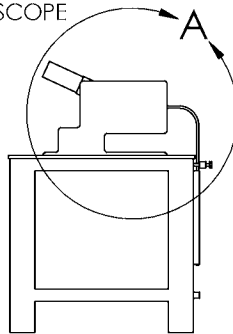
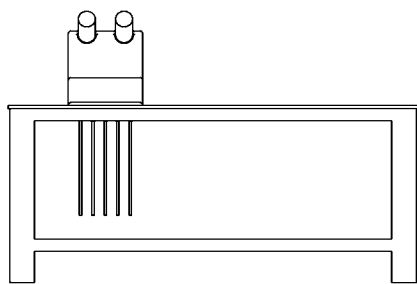
REVISIONS			
REV.	DESCRIPTION	DATE	APPROVED

NOTES: UNLESS OTHERWISE SPECIFIED

CABLE MANAGEMENT



A CABLE MANAGEMENT CLAMPING BAR CAN BE PLACED ON THE BACK OF THE TABLE ON THE LEFT OR RIGHT HAND SIDE. SIMPLY PASS THE CABLES BETWEEN THE TABLE AND THE CLAMPING BAR AND COMPRESS THE BAR AGAINST THE CABLES BY TIGHTENING THE ADJUSTABLE KNOBS. THE CABLES CAN THEN HANG LOOSELY OFF THE BACK OF THE MICROSCOPE WITHOUT PULLING ON THE SCOPE

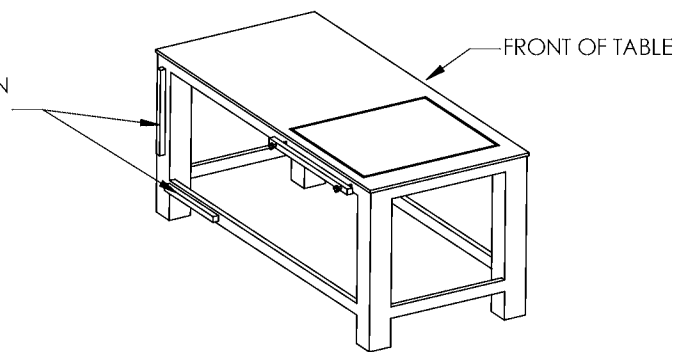


ADJUST PRESSURE BY TIGHTENING THIS KNOB

DETAIL A
SCALE 1:10

POWER MANAGEMENT

POSSIBLE LOCATION FOR POWER STRIP



FRONT OF TABLE

A POWER STRIP CAN BE MOUNTED VERTICALLY ON TO THE BACKSIDE OF EITHER TABLE LEG OR IT CAN BE MOUNTED HORIZONTALLY ALONG THE BACK OF THE TABLE OR ALONG THE BACK OF THE CROSS BAR ON THE BACKSIDE OF THE TABLE. THE POWER STRIP IS NOT INTENDED TO BE USED AS A UPS.

CUSTOMER APPROVAL _____	DATE _____	CATALOG NO. _____	PN: _____	NEXT ASSY _____	USED ON _____	APPLICATION _____	DO NOT SCALE DRAWING	QUAL ENG _____	SITE DWG. NO. B 1047-062	SCALE 1:20	SHEET 1 OF 1
-------------------------	------------	-------------------	-----------	-----------------	---------------	-------------------	----------------------	----------------	---------------------------------	------------	--------------

ITEM NO.	PART OR IDENTIFYING NO.	NOMENCLATURE OR DESCRIPTION	MATERIAL SPECIFICATION	QTY REQD.
PARTS LIST				
UNLESS OTHERWISE SPECIFIED DIMENSIONS ARE IN INCHES TOLERANCES ARE:		CAD GENERATED DRAWING. DO NOT MANUALLY UPDATE		
FRACTIONS ± 1/32	DECIMALS .XX ± 0.16 ± 1/2"	ANGLES XXX ± .003 125/	APPROVALS	DATE
			S. OCHENREDEER	4-30-05
MATERIAL	RES' ENG	PA	CHECKED	
	FA			4-30-05
FINISH	MFG ENG			
	QUAL ENG			

VISTEK Inc.
VIBRATION & MOTION CONTROL
PHOENIX, ARIZONA
Phone (602) 426-1211 / Fax (602) 426-1611

OPTION-CP, VIT2500

SHEET 1 OF 1