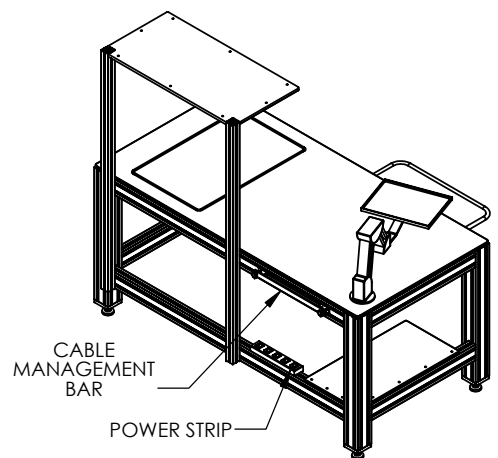
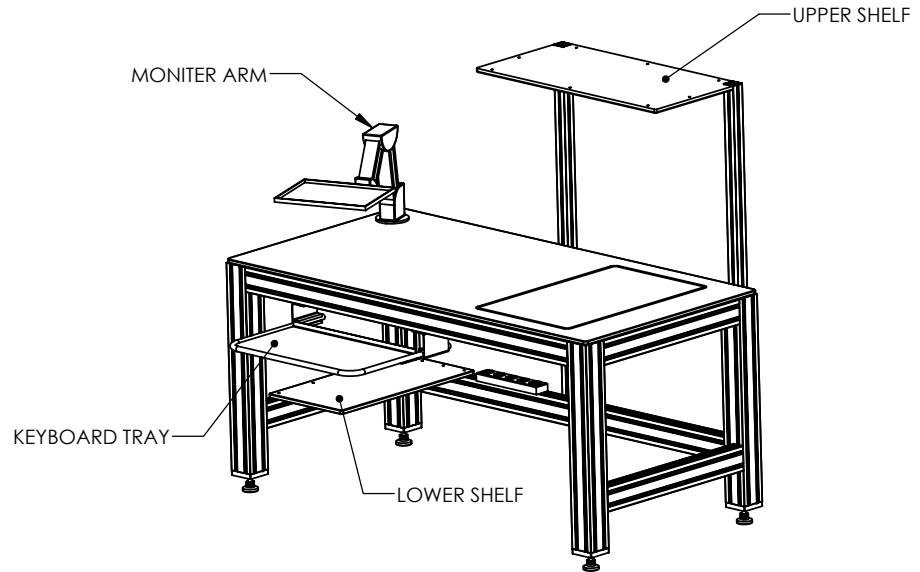


8 7 6 5 4 3 2 1

THE INFORMATION CONTAINED IN THIS DRAWING IS THE SOLE PROPERTY OF VISTEK, INC. ANY REPRODUCTION IN PART OR WHOLE WITHOUT THE WRITTEN PERMISSION OF VISTEK, INC. IS PROHIBITED. THE ASSEMBLY / PART(S) ILLUSTRATED IN THIS DRAWING IS AN INVENTION OR PART OF AN INVENTION THAT IS PROTECTED BY U. S. PATENTS AND FOREIGN PATENTS PENDING AND/OR APPLIED FOR, AND APPLICABLE TRADE SECRETS LAW.

RIGHT SIDE ISOLATION

REVISIONS			
REV.	DESCRIPTION	DATE	APPROVED



REAR VIEW OF RIGHT HAND ISOLATION TABLE

STANDARD LOCATION OF OPTIONS

- UPPER SHELF**
 STANDARD LOCATION – RIGHT HAND SIDE
 *ON 30" WIDE TABLES THE SHELF TAKES UP THE ENTIRE WIDTH
 WE OVERRIDE THE STANDARD LOCATION & CHOOSE THE LEFT HAND SIDE. CHECK THIS BOX IF THIS IS YOUR SELECTION & INITIAL HERE _____.
- LOWER SHELF**
 STANDARD LOCATION – LEFT HAND SIDE
 WE OVERRIDE THE STANDARD LOCATION & CHOOSE THE RIGHT HAND SIDE. CHECK THIS BOX IF THIS IS YOUR SELECTION & INITIAL HERE _____.
- KEYBOARD TRAY**
 LEFT HAND LOCATION ONLY
 ONLY AVAILABLE ON TABLES 48" & WIDER.
- MONITOR ARM**
 STANDARD LOCATION – LEFT HAND SIDE
 WE OVERRIDE THE STANDARD LOCATION & CHOOSE THE RIGHT HAND SIDE. CHECK THIS BOX IF THIS IS YOUR SELECTION & INITIAL HERE _____.
 * THE MONITOR ARM MUST BE ON THE OPPOSITE END AS THE UPPER SHELF.
- CABLE MANAGEMENT BAR**
 STANDARD LOCATION – BEHIND THE ISOLATION PLATFORM.
 WE OVERRIDE THE STANDARD LOCATION & CHOOSE BACK OF THE LEFT HAND SIDE. CHECK THIS BOX IF THIS IS YOUR SELECTION & INITIAL HERE _____.
- POWER STRIP**
 STANDARD LOCATION – ON BACK CROSSBAR BEHIND ISOLATION PLATFORM FACING UP.
 WE OVERRIDE THE STANDARD LOCATION & CHOOSE THE OPPOSITE END. CHECK THIS BOX IF THIS IS YOUR SELECTION & INITIAL HERE _____.

<p>VISTEK Inc. VIBRATION & MOTION CONTROL PHOENIX, ARIZONA Phone (602) 426-1211 / Fax (602) 426-1611</p>	CUSTOMER: _____
	CUSTOMER P.O. No: _____
	SALES ORDER No: _____
	COMPLETION DATE: _____