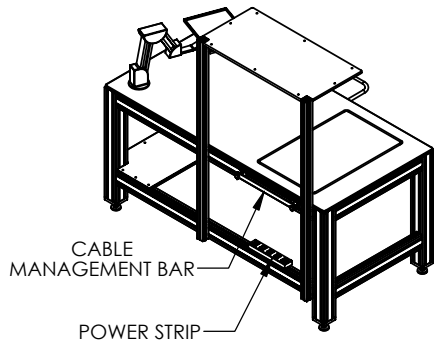
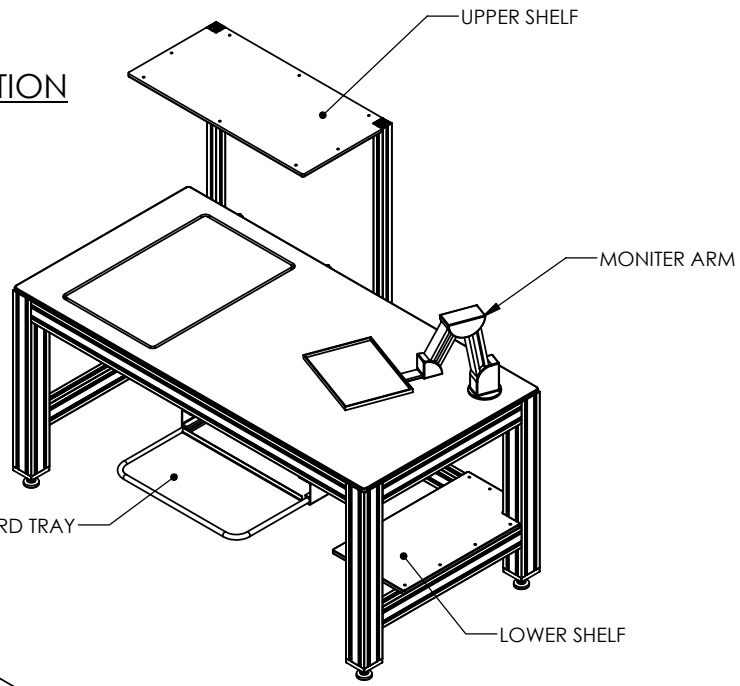


8 7 6 5 4 3 2 1

THE INFORMATION CONTAINED IN THIS DRAWING IS THE SOLE PROPERTY OF VISTEK, INC. ANY REPRODUCTION IN PART OR WHOLE WITHOUT THE WRITTEN PERMISSION OF VISTEK, INC. IS PROHIBITED. THE ASSEMBLY / PART(S) ILLUSTRATED IN THIS DRAWING IS AN INVENTION OR PART OF AN INVENTION THAT IS PROTECTED BY U. S. PATENTS AND FOREIGN PATENTS PENDING AND/OR APPLIED FOR, AND APPLICABLE TRADE SECRETS LAW.

REVISIONS			
REV.	DESCRIPTION	DATE	APPROVED

LEFT SIDE ISOLATION



BACK VIEW OF LEFT HAND ISOLATION TABLE

STANDARD LOCATION OF OPTIONS

- UPPER SHELF  
STANDARD LOCATION – LEFT HAND SIDE  
\*ON 30" WIDE TABLES THE SHELF TAKES UP THE ENTIRE WIDTH  
 WE OVERRIDE THE STANDARD LOCATION & CHOOSE THE RIGHT HAND SIDE. CHECK THIS BOX IF THIS IS YOUR SELECTION & INITIAL HERE \_\_\_\_\_.
- LOWER SHELF  
STANDARD LOCATION – RIGHT HAND SIDE  
 WE OVERRIDE THE STANDARD LOCATION & CHOOSE THE LEFT HAND SIDE. CHECK THIS BOX IF THIS IS YOUR SELECTION & INITIAL HERE \_\_\_\_\_.
- KEYBOARD TRAY  
RIGHT HAND LOCATION ONLY  
ONLY AVAILABLE ON TABLES 48" & WIDER.
- MONITOR ARM  
STANDARD LOCATION – RIGHT HAND SIDE  
 WE OVERRIDE THE STANDARD LOCATION & CHOOSE THE LEFT HAND SIDE. CHECK THIS BOX IF THIS IS YOUR SELECTION & INITIAL HERE \_\_\_\_\_.  
\* THE MONITOR ARM MUST BE ON THE OPPOSITE END AS THE UPPER SHELF.

- CABLE MANAGEMENT BAR  
STANDARD LOCATION – BEHIND THE ISOLATION PLATFORM.  
 WE OVERRIDE THE STANDARD LOCATION & CHOOSE BACK OF THE RIGHT HAND SIDE. CHECK THIS BOX IF THIS IS YOUR SELECTION & INITIAL HERE \_\_\_\_\_.
- POWER STRIP  
STANDARD LOCATION – ON BACK CROSSBAR BEHIND ISOLATION PLATFORM FACING UP.  
 WE OVERRIDE THE STANDARD LOCATION & CHOOSE THE OPPOSITE END. CHECK THIS BOX IF THIS IS YOUR SELECTION & INITIAL HERE \_\_\_\_\_.

**VISTEK Inc.**  
VIBRATION & MOTION CONTROL  
PHOENIX, ARIZONA  
Phone (602) 426-1211 / Fax (602) 426-1611

CUSTOMER: \_\_\_\_\_  
CUSTOMER P.O. No: \_\_\_\_\_  
SALES ORDER No: \_\_\_\_\_  
COMPLETION DATE: \_\_\_\_\_