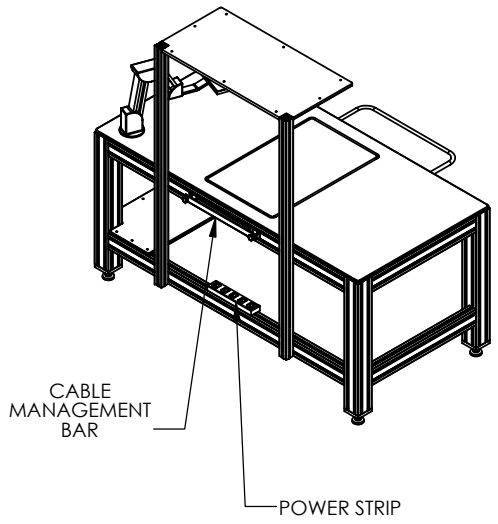
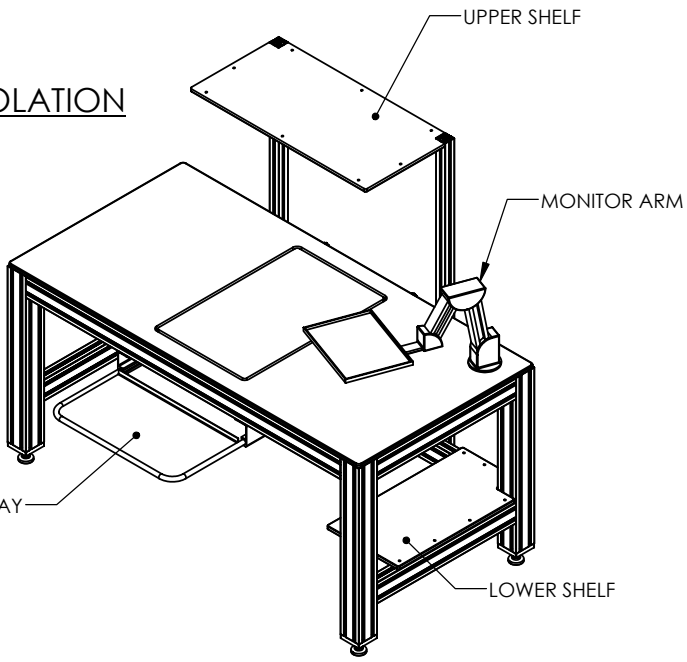


THE INFORMATION CONTAINED IN THIS DRAWING IS THE SOLE PROPERTY OF VISTEK, INC. ANY REPRODUCTION IN PART OR WHOLE WITHOUT THE WRITTEN PERMISSION OF VISTEK, INC. IS PROHIBITED. THE ASSEMBLY / PART(S) ILLUSTRATED IN THIS DRAWING IS AN INVENTION OR PART OF AN INVENTION THAT IS PROTECTED BY U. S. PATENTS AND FOREIGN PATENTS PENDING AND/OR APPLIED FOR, AND APPLICABLE TRADE SECRETS LAW.

REVISIONS			
REV.	DESCRIPTION	DATE	APPROVED

CENTER ISOLATION



BACK VIEW OF CENTER ISOLATION TABLE

STANDARD LOCATION OF OPTIONS

1. UPPER SHELF  
 STANDARD LOCATION – LEFT HAND SIDE  
 \*ON 30" WIDE TABLES THE SHELF TAKES UP THE ENTIRE WIDTH  
 WE OVERRIDE THE STANDARD LOCATION & CHOOSE THE RIGHT HAND SIDE. CHECK THIS BOX IF THIS IS YOUR SELECTION & INITIAL HERE \_\_\_\_\_.
2. LOWER PC SHELF  
 STANDARD LOCATION – RIGHT HAND SIDE  
 WE OVERRIDE THE STANDARD LOCATION & CHOOSE THE LEFT HAND SIDE. CHECK THIS BOX IF THIS IS YOUR SELECTION & INITIAL HERE \_\_\_\_\_.
3. KEYBOARD TRAY  
 ONLY AVAILABLE ON TABLES 72" WIDE TABLE.  
 STANDARD LOCATION – RIGHT HAND SIDE  
 WE OVERRIDE THE STANDARD LOCATION & CHOOSE THE LEFT HAND SIDE. CHECK THIS BOX IF THIS IS YOUR SELECTION & INITIAL HERE \_\_\_\_\_.
4. MONITOR ARM  
 STANDARD LOCATION – RIGHT HAND SIDE  
 WE OVERRIDE THE STANDARD LOCATION & CHOOSE THE LEFT HAND SIDE. CHECK THIS BOX IF THIS IS YOUR SELECTION & INITIAL HERE \_\_\_\_\_.  
 \* THE MONITOR ARM MUST BE ON THE OPPOSITE END AS THE UPPER SHELF.

5. CABLE MANAGEMENT BAR  
 STANDARD LOCATION – BEHIND THE ISOLATION PLATFORM.  
 WE OVERRIDE THE STANDARD SELECTION & SELECT THE:  
 BACKSIDE OF THE LEFT END OF THE END OF THE TABLE.  
 BACKSIDE OF THE RIGHT END OF THE END OF THE TABLE.  
 CHECK THE APPROPRIATE BOX & INITIAL HERE \_\_\_\_\_.
6. POWER STRIP  
 STANDARD LOCATION – ON BACK CROSSBAR BEHIND ISOLATION PLATFORM FACING UP.  
 WE OVERRIDE THE STANDARD SELECTION & SELECT THE:  
 BACKSIDE OF THE LEFT END OF THE END OF THE TABLE.  
 BACKSIDE OF THE RIGHT END OF THE END OF THE TABLE.  
 CHECK THE APPROPRIATE BOX & INITIAL HERE \_\_\_\_\_.

**VISTEK Inc.**  
 VIBRATION & MOTION CONTROL  
 PHOENIX, ARIZONA  
 Phone (602) 426-1211 / Fax (602) 426-1611

CUSTOMER: \_\_\_\_\_  
 CUSTOMER P.O. No: \_\_\_\_\_  
 SALES ORDER No: \_\_\_\_\_  
 COMPLETION DATE: \_\_\_\_\_