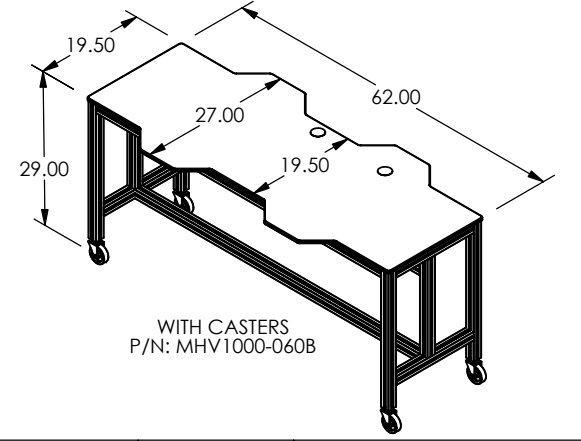
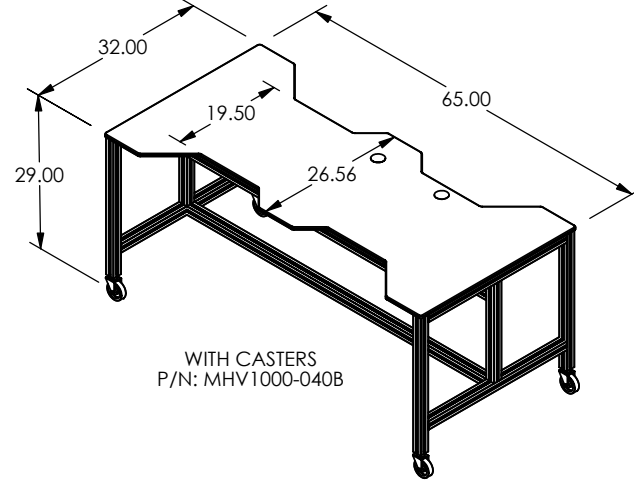
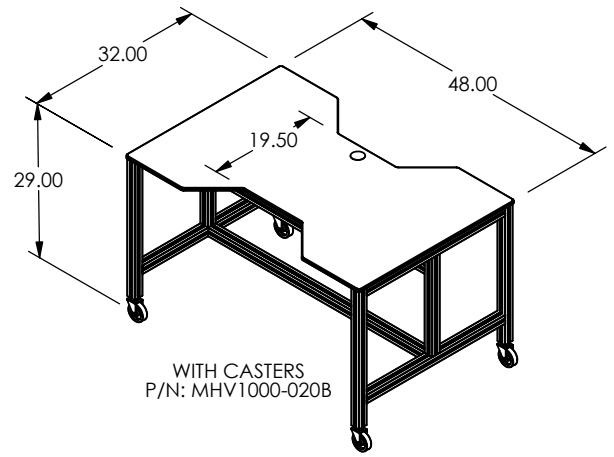
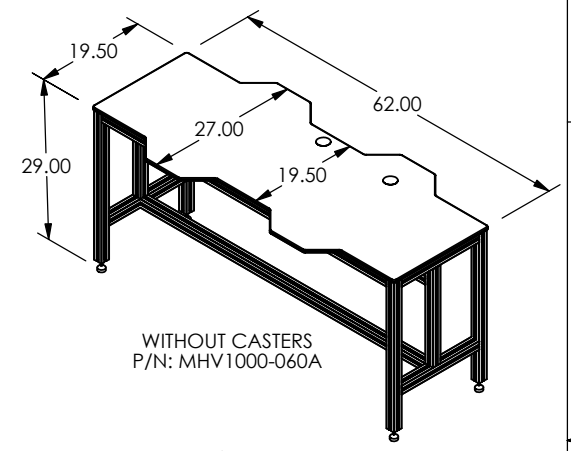
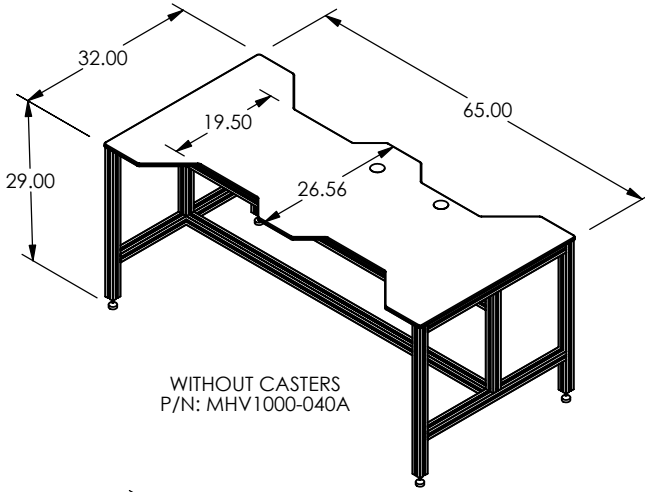
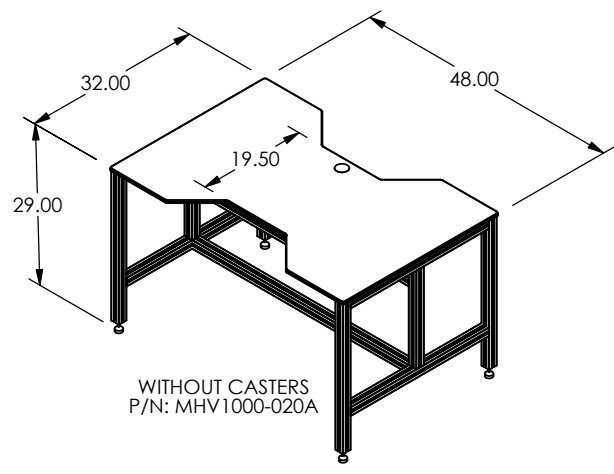


THE INFORMATION CONTAINED IN THIS DRAWING IS THE SOLE PROPERTY OF VISTEK, INC. ANY REPRODUCTION IN PART OR WHOLE WITHOUT THE WRITTEN PERMISSION OF VISTEK, INC. IS PROHIBITED. THE ASSEMBLY / PART(S) ILLUSTRATED IN THIS DRAWING IS AN INVENTION OR PART OF AN INVENTION THAT IS PROTECTED BY U. S. PATENTS AND FOREIGN PATENTS PENDING AND/OR APPLIED FOR, AND APPLICABLE TRADE SECRETS LAW.

# AXCIS® MULTI-HEAD VIEWING WORKSTATIONS

REVISIONS			
REV.	DESCRIPTION	DATE	APPROVED



UNLESS OTHERWISE SPECIFIED DIMENSIONS ARE IN INCHES TOLERANCES ARE:		CAD GENERATED DRAWING. DO NOT MANUALLY UPDATE	
FRACTIONS	DECIMALS	ANGLES	DATE
± 1/32	.XX ± 0.16	± 1/2°	12/14/2006
	.XXX ± .003	125°	
MATERIAL		APPROVALS	DATE
FINISH		DRAWN	R. HAM
NEXT ASSY		CHECKED	
USED ON		RESP ENG	
APPLICATION		MFG ENG	
		QUAL ENG	

**VISTEK Inc.**  
VIBRATION & MOTION CONTROL  
PHOENIX, ARIZONA  
Phone (602) 426-1211 / Fax (602) 426-1611

AXCIS® MULTI-HEAD VIEWING WORKSTATION  
SIZE DWG. NO. 1056-025  
SCALE 1:18 MASS: LBS SHEET 1 OF 1

CUSTOMER APPROVAL _____	DATE _____	CATALOG NO. _____	P/N: _____
-------------------------	------------	-------------------	------------